

Instructions for Use

Magtration[®] Reagent **MagDEA[®] Dx SV**



Version 1.6

Content: 1 May 2018



48 tests



This reagent is designed for automation system. Please surely read and understand this document and operation manual of the system prior to usage. geneLEAD and magLEAD series are applied as automated systems.



REF E1300

CE **IVD**



Precision System Science Co., Ltd.
Kamihongou 88 Matsudo Chiba Japan

Index

1. Symbols	3
2. Abstract of product	4
2.1. Introduction	4
2.2. Intended use	4
2.3. Extraction principle (Magtration® Technology)	5
2.4. Kit contents	5
2.5. Process time	6
2.6. Storage condition	6
3. How to use this product	6
3.1. Safety instructions	6
4. Reagent performance	8
4.1. Linearity test of extracts from various sample matrices, spiked with M13 DNA bacteriophage.....	8
4.2. Genomic DNA from human whole blood	9
5. Trouble shooting	9

1. Symbols



In vitro diagnostic medical device



Authorized Representative in the European Community



Caution



Batch code/lot number



Catalog number



Temperature limitation



Sufficient for



Do not reuse



Consult instructions for use



Manufacturer



Use by



Acute toxicity



Acute aquatic toxicity



Flammable



Health hazard

2. Abstract of product

2.1. Introduction

MagDEA® Dx SV is the nucleic acid extraction reagent for the fully automated extraction – diagnostics system. (geneLEAD and magLEAD series are applied as automated systems.) The system is based on the Magtration® Technology and it is possible to use up to 200 µL samples and 400 µL samples (400 µL is only available for magLEAD series.). Extracted nucleic acid can be used for real time PCR or RT-PCR analysis, and it is possible to use this specific reagent kit by a simple procedure. PSS automated extraction system is based on the Magtration® Technology and magnetic particles, and there are no need for centrifugation or spin column steps. The use of MagDEA® Dx SV significantly reduce the risk of contamination from outside. Another advantage is that this procedure extracts high quality nucleic acid in less time compare with a manual process.

2.2. Intended use

- Viral NA extraction from human serum, plasma that include EDTA or citric acid, nasal swab, throat swab, urine cerebrospinal fluid (CSF), sputum and stool.
- DNA extraction from human whole blood that include EDTA or citric acid.

MagDEA® Dx SV cannot provide diagnostic data by itself however, the use of the integrated system or another commercial available nucleic acid amplification assay, can fulfill the need of a fully usable diagnostic tool. Sample containing heparin affects result of PCR.

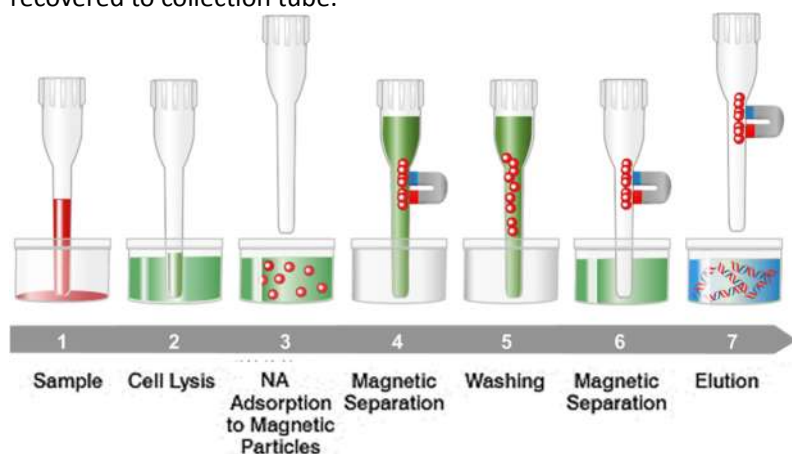


Caution

- The MagDEA Dx SV CANNOT be used as an accessory for any of following diagnostic applications if not properly validated.
 - 1) Determination of;
 - ◆ the blood groups: ABO system, rhesus (C, c, D, E, e) anti-Kell, anti-Duffy and anti-Kidd
 - ◆ the irregular anti-erythrocytic antibodies
 - ◆ the human cytomegalovirus, and the human chlamydia
 - ◆ the HLA tissue groups: DR, A, B
 - ◆ the tumoral marker: PSA
 - 2) Detection, confirmation and quantification of;
 - ◆ markers of HIV infection (HIV 1 and 2), HTLV I and II, and hepatitis B, C and D in human specimens
 - ◆ congenital infections: rubella, toxoplasmosis in human samples
 - 3) Diagnosis of the hereditary disease: phenylketonuria
 - 4) Evaluation of the risk of trisomy 21
 - 5) Self-diagnosis, including its related calibrators and control materials: device for the measurement of blood sugar.
 - 6) Any other applications listed on the latest version of List A, B and Self-test of Annex II of 98/79/EC.

2.3. Extraction principle (Magtration® Technology)

The Magtration® Technology is based on magnetic particles located inside of a tip, to segregate the particles from the liquid. (1) Sample is prepared. (2) Protein in sample is lysed using Proteinase K and lysis solution. (3) Nucleic acid is adsorbed to magnetic particles with hydrophilic surface using chaotropic ion and alcohol. (4) Magnetic particles is recovered from reaction buffer by Magtration® Technology. (5) Magnetic particles is washed using wash buffer containing alcohol. (6) Magnetic particles is recovered from wash buffer by Magtration® Technology. (7) Nucleic acid is eluted using hot water as elution buffer, and eluate is recovered to collection tube.



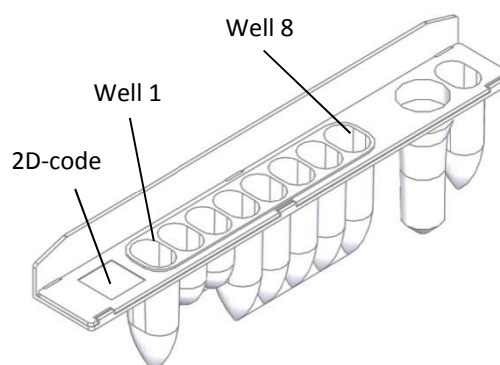
2.4. Kit contents

Nucleic acid extraction cartridge box

1. Nucleic acid extraction cartridge 48 pcs

This kit is designed for automation system. Use this kit combined consumables kit for automation system.

Nucleic acid extraction reagent cartridge



Well No.	Reagent name	Quantity	H-code / P-code
1	Lysis solution	48 x 400 µL	H225,H302,H315,H319,H335 H361,H370,H372,H373,H400 H410
2	PK solution	48 x 80 µL	
3	Carrier solution	48 x 80 µL	
4	Magnetic particles	48 x 200 µL	P201,P202,P210,P233,P240 P241,P242,P243,P260,P261 P264,P270,P271,P273,P280 P312,P314,P321,P330,P362 P391,P405,P501,P301+P312 P302+P352,P332+P313 P303+P361+P353,P304+P340 P305+P351+P338,P308+P311 P308+P313,P337+P313 P370+P378,P403+P233 P403+P235
5	Binding buffer	48 x 1000 µL	
6	Wash buffer 1	48 x 1200 µL	
7	Wash buffer 2	48 x 700 µL	
8	Distilled water	48 x 1200 µL	

2.5. Process time

Operation time depends on protocol.

Protocol	200 µL protocol	400 µL Whole Blood Protocol	400 µL Other matrix Protocol
System	geneLEAD or magLEAD series	magLEAD series	magLEAD series
Process time	Approx. 25 min.	Approx. 40 min.	Approx. 30 min.

2.6. Storage condition

Please keep the extraction reagent kit at 10 ~ 30 °C. Do not freeze and keep the reagent away from high temperature including humidity or vibration. To prevent the reagent kit from exposure under direct sunlight, please keep the reagents in external boxes for storage after usage.

Always store the kit cartridges with the sealing on the upper side and not under tilting conditions.

3. How to use this product

3.1. Safety instructions



Please confirm following items prior to use.

- This extraction reagent kit is dedicated for automation system only. Therefore, please read carefully the instrument operation manual prior to use.
- In case of instrument error messages, please refer to the instrument operation manual.

Notes for safety usage

- Reagent inside of prepack cartridge include toxic or flammable material so please refer to Material safety data sheet (MSDS) and pay attention to the safety handling paragraph.
- Follow the laboratory safety guidance and pay attention to infection risks.
- Do not drink or smoke close to the test area.
- Wear protective gloves, coat and eye protection gear when using the kit.

- Dispose the gloves and clean your hands carefully after use.

Notes for dispose

- When disposing reagent or consumables, handle them as infection risk. Refer to MSDS and follow your regional regulation for disposables.
- The reagents include iso-propyl alcohol so keep away from fire or explosive items when disposing.

Notes for reagent performance

- Do not use expired reagent kit.
- Do not re-use extraction cartridge or tip rack.
- Do not damage or dirt 2D code.
- Prior to use, if the reagent stick on the wall inside the cartridge well, vibrate/flick briefly for the drops to fall down without creating any bubbles.
- The elution consists of distilled water however the final elution volume may vary due to remaining's on the magnetic particles, tip surface or due to evaporation.
- Do not leave the reagent for too long time on the instrument before start.
- It is recommended to use controls for PCR, such as internal control or positive control, to get reliable diagnostic results.

3.2. Operation procedure

Prior to use, please read carefully the operation procedure about automation system in the operation manual.

Consumable kit sold separately is necessary.

1. Power ON the instrument.
2. Select functions from Graphic user interface (GUI).
3. Prepare extraction reagent cartridge, tip set included in consumable kit sold separately and sample by GUI guidance. Prior to use, if the reagent stick inside the wall of the cartridge well, vibrate briefly for the drops to fall down without creating any bubbles.

Consumption of one sample are as follows. Prepare the reagent and the consumables according to GUI of instrument.

Nucleic acid extraction cartridge MagDEA® Dx SV	1 pc
Tip set	1 pc
Collection tube	1 pc
Sample tube / Sonication tube	1 pc
Sonication cap (if needed)	1 pc

4. Select protocol with help of GUI of instrument or PC.

5. Make sure to set MagDEA® Dx SV, Sample tube or Sonication tube, (if needed Sonication cap), collection tube for elution, Tip rack and PCR cartridges properly based on the GUI guidance.
6. Close the front cover of the instrument.
7. Push Start button to start the nucleic acid extraction process.
8. After process completion, open front cover by GUI guidance.

4. Reagent performance

The performance tests were validated using geneLEAD XII plus of PSS. PCR result of the extract is depended on the PCR condition and the amplification system.

4.1. Linearity test of extracts from various sample matrices, spiked with M13 DNA bacteriophage

M13 DNA bacteriophage, using 10 µL and 7 different concentrations, were added to 200 µL of following human body fluid samples; Serum, plasma (EDTA-2Na), plasma (ACD), swab (throat), swab (nasal), cerebrospinal fluid (CSF) and urine. Those samples were prepared to final numbers of 1×10^2 , 10^3 , 10^4 , 10^5 , 10^6 and 10^8 copies/extraction (5 replicates). DNA was extracted using MagDEA® Dx SV on geneLEAD XII plus, and the extracts were PCR amplified using ABI 7500 Dx fast (M13 specific TaqMan probe). 100 copies/extraction were detected in all tests. Slopes, coefficient of determination (R²), PCR efficiency and y-intercept were calculated using the Ct values obtained from samples between 1×10^2 to 10^8 copies/extraction (Table 1). No differences were observed between the sample species. PCR amplification curve and Linearity plot graph using serum is shown in Figure 1.

Table 1. The linearity test analysis showing obtained Ct values from seven different human sample matrices

	Serum	Plasma (EDTA)	Plasma (ACD)	Swab (Throat)	Swab (nasal)	CSF	Urine
Slope	-3.447	-3.406	-3.415	-3.369	-3.391	-3.361	-3.397
coefficient of determination (R ²)	0.995	0.997	0.998	0.999	0.999	0.996	0.998
PCR efficiency (%)	95.027	96.594	96.253	98.061	97.215	98.405	96.954
y-intercept	41.863	41.556	41.782	41.097	41.463	40.883	41.052

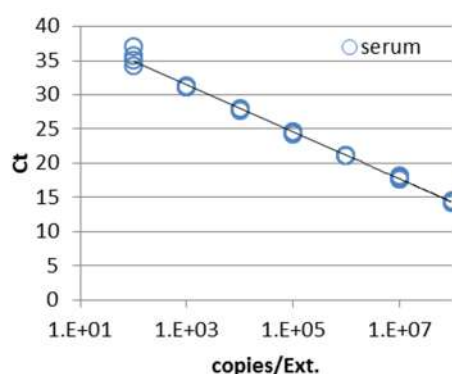


Figure 1. Linearity plot graph showing copy numbers and Ct values from M13 bacteriophage included serum as typical data.

4.2. Genomic DNA from human whole blood

Genomic DNA was extracted from human EDTA-2Na (specimen A) or ACD (specimen B) whole blood samples using MagDEA® Dx SV for total 6 days (6 replicates by each run). The white blood cell (WBC) numbers of specimen A and B were 6.4 and 9.2 k/ μ L respectively. The concentrations and purities of the extracts were measured using ND-1000 spectrometer (NanoDrop) (Figure 2). After 6 runs, there were no significant variations between the two specimens.

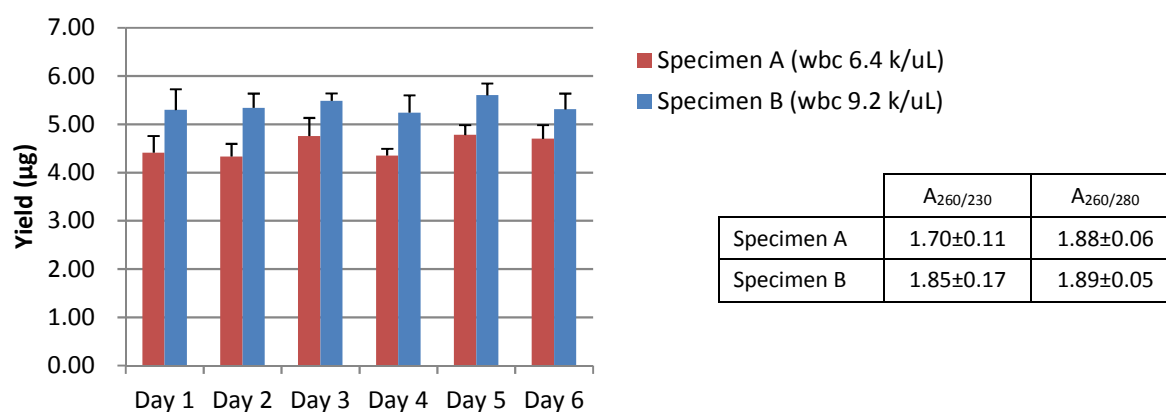


Figure 2. The yield, $A_{260/280}$, and $A_{260/230}$ of genomic DNA from whole blood sample.

5. Trouble shooting

In case of finding a general error, please follow the procedure below. Please follow the instrument operation manual in case of an instrument error.

(1) Low extraction yield, not pure enough

Root cause	Countermeasure
Sample status	Verify that the sample storage condition is appropriate or not. Use fresh sample or sample stored under appropriate condition. Extraction amount can vary from chilled or frozen sample.
Reagent status	Verify that the extraction reagent cartridge storage condition is appropriate. In case of kit storage in refrigerator, please place the reagent in room temperature prior to use. Do not freeze the reagent, and prevent storage places with vibration.
Solid items remaining	Some specific sample extracts with solid items remaining inside may cause tip stacking, and mixing process may not function properly. The sample should contain a clear solution for smooth handling by 1000uL pipet. Do not use solid sample for extraction.
Contamination	Clean all instrument parts well after use, including all surfaces by using 0.1 % sodium hypochlorite or 70 % ethanol.
Trouble of automation system	Refer the error code of automation system, and accordance with the countermeasure.

(2) RNA is solved

Root cause	Countermeasure
Too much sample amount	In case of adding too high sample concentration, RNase cannot be inactivated. Reduce sample concentration.
Elution storage too long time	Do not keep eluted sample for too long time in RT after extraction. Tighten cap of elution tube as soon as possible, and keep samples at -80°C condition.
External RNase contamination	After use, clean all parts on the instrument surface carefully by using RNase removal agent.

Magtration® and MagDEA® are registered trade mark owned by Precision System Science Co.,Ltd.
These explanations are based on the status of 2018/5.
Please be noted information such as specification can be changed without information.

Produced by / sold by



Precision System Science Co., Ltd.
〒271-0064 Kamihongou 88 Matsudo , Chiba
Tel: +81 (0) 47-303-4801 Fax: +81 (0) 47-303-4811
URL : <http://www.pss.co.jp>
E-mail : service@pss.co.jp



Precision System Science USA, Inc.
5673 West Las Positas Blvd., Suite 202, Pleasanton, CA 94588, U.S.A.
E-mail : contact@pssbio.com



Precision System Science Europe GmbH
55122 Mainz, Mombacher Str. 93, Germany
E-mail : contact-psse@pss.co.jp

Emergo Europe
Prinsessegracht 20, 2514 AP The Hague, The Netherlands
Tel: +31 (0) 70-345-8570, Fax: +31 (0) 70-346-7299

